



# PLASTIC DUST BINS



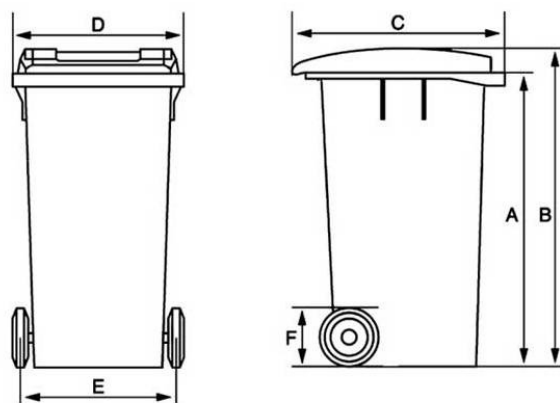
**Material:** HDPE + UV Stabilizer

**Net Weight:** 7.700 Kgs (about)

**Payload:** 35 Kgs

**Packing:** Loose Pack

**Extra Equipment:** Foot Pedal



A: 765 mm

B: 825 mm

C: 540 mm

D: 480 mm

E: 420 mm

F: 200 mm

## ERCON ADVANTAGE

**E** CONOMICAL

**R** OBUST

**C** ORROSION PROOF

**O** NE PIECE MOULDED

**N** O MAINTENANCE



*We Mould To Your Needs*

# ERGEN PLASTIC INDUSTRIES

P 7&8 INDUSTRIAL ESTATE, JODHPUR, RAJASTHAN – 342003 PH:+91 291 2433737 FAX: +91 291 2615203

email: [marketing@plasticpalletindia.com](mailto:marketing@plasticpalletindia.com) [www.plasticpalletindia.com](http://www.plasticpalletindia.com)