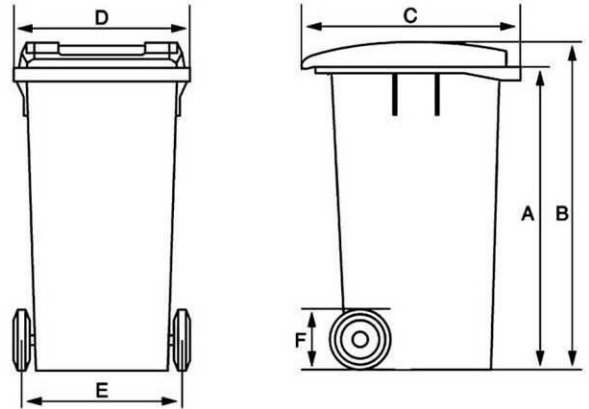




# PLASTIC DUST BINS



**Material:** HDPE + UV Stabilizer  
**Net Weight:** 12.500 Kgs (about)  
**Payload:** 100 Kgs  
**Packing:** Loose Pack  
**Extra Equipment:** Foot Pedal  
**Container Capacity:**



A: 985 mm  
C: 725 mm  
E: 520 mm

B: 1060 mm  
D: 570 mm  
F: 200 mm



*We Mould To Your Needs*

## ERCON ADVANTAGE

**E** CONOMICAL

**R** OBUST

**C** ORROSION PROOF

**O** NE PIECE MOULDED

**N** O MAINTENANCE

## ERGEN PLASTIC INDUSTRIES

P 7&8 INDUSTRIAL ESTATE, JODHPUR, RAJASTHAN – 342003 PH:+91 291 2433737 FAX: +91 291 2615203

email: [marketing@plasticpalletindia.com](mailto:marketing@plasticpalletindia.com) [www.plasticpalletindia.com](http://www.plasticpalletindia.com)