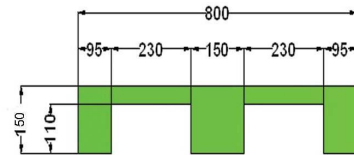
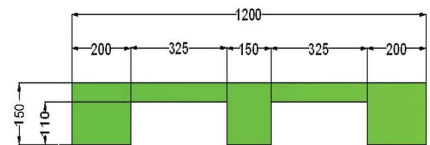
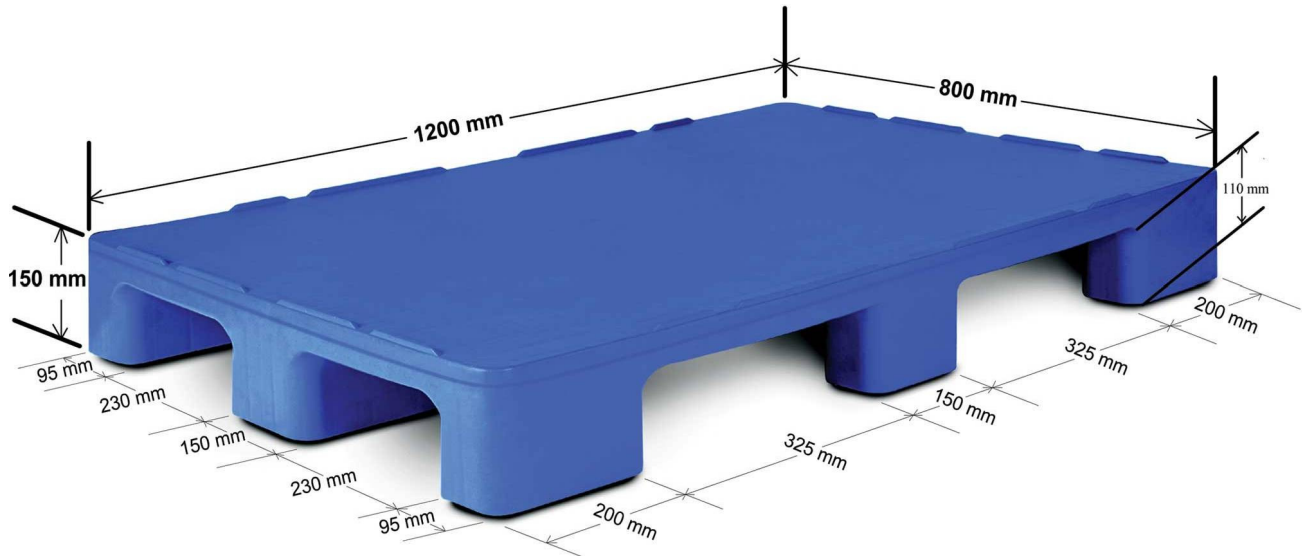




PLASTIC PALLETS



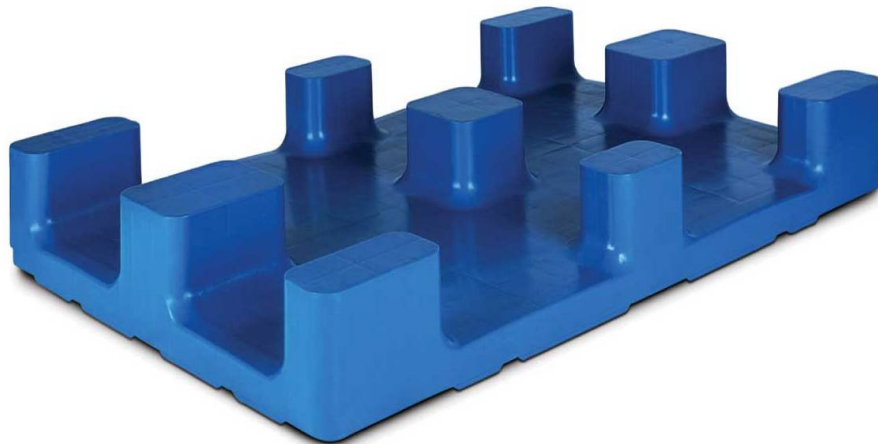
Material: HDPE Injection Grade + UV Stabilizer

Dimension: 1200×800×150 mm

NetWeight: 13.50 Kg (±3%)

Static Load: 6,000 Kgs

Dynamic Load: 1,500 Kgs



ERGEN PLASTIC INDUSTRIES

P 7&8 INDUSTRIAL ESTATE, JODHPUR, RAJASTHAN – 342003

PH:+91 291 2433737 FAX: +91 291 2615203 email: info@ercon.co.in

www.plasticpalletsindia.co.in